

► Bicycle Stands

Type 34

Design:
VEKSØ A/S

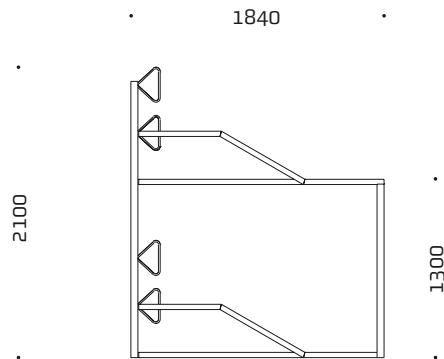
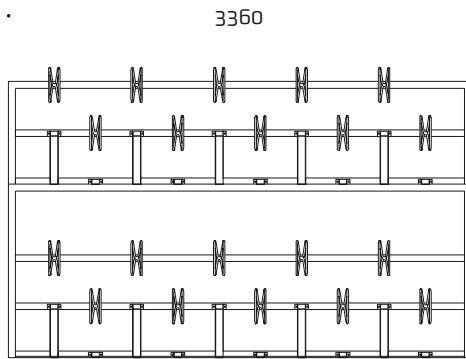


◀ Bicycle Stands
Type 34



Technical drawings

- part of **NRG** Group



Dimensions

Frame	50 x 50 mm
U-profile steel	40 x 60 mm
Holders	∅ 12 mm

Materials and Finish

Steel Hot-dip galvanised. Can also be powder coated. Mechanical forces may cause the powder coating to peel. For standard RAL colours, see product info. Recommended min. spacing from floor to ceiling 3 metres.

Product

Description

Type 34 Cycle rack, two-story for surface mounting, 20 stands

For more information please visit www.veksø.com