

► Bicycle Stands

Loop

Design:
DSB Architects

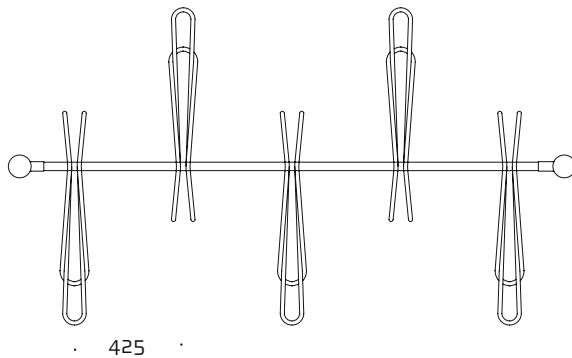
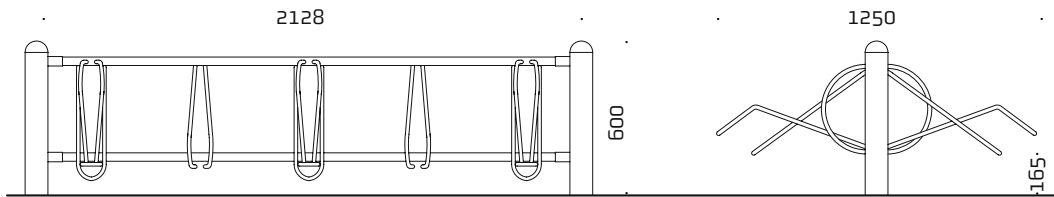


◀ Bicycle Stands
Loop



Technical drawings

- part of **NRG** Group



Dimensions

| | |
|--------------------------|---------|
| Bollard (Type 60) | Ø 89 mm |
| Strut | Ø 33 mm |
| Holders | Ø 16 mm |

Materials and Finish

| | |
|------------------|--|
| Steel | Hot-dip galvanised. Can also be powder coated. Mechanical forces may cause the powder coating to peel. For standard RAL colours, see product info. |
| Embedment | Type 60 bollard (590 mm above ground level). |

Product

Description

| | |
|------|---|
| Loop | Cycle stand, double sided for embedment, 10 stands, 2128 mm |
| Loop | Cycle stand, double sided for embedment, 12 stands, 2553 mm |

For more information please visit www.veksa.com