

► Bicycle Stands

Klo

Design:
VEKSØ A/S



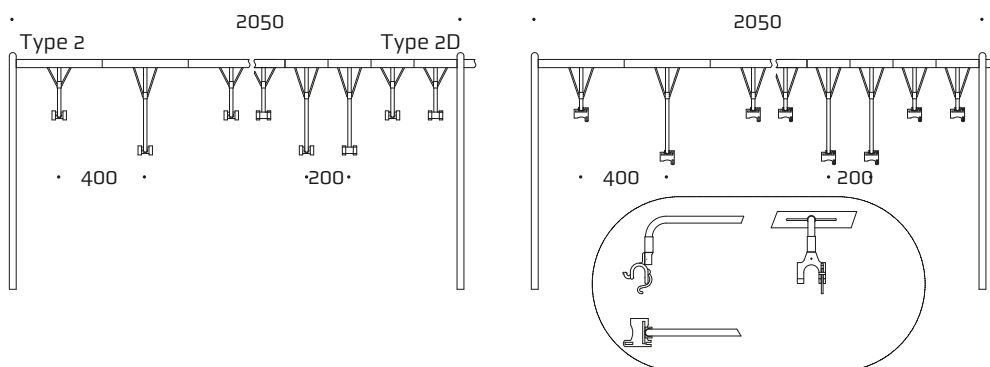
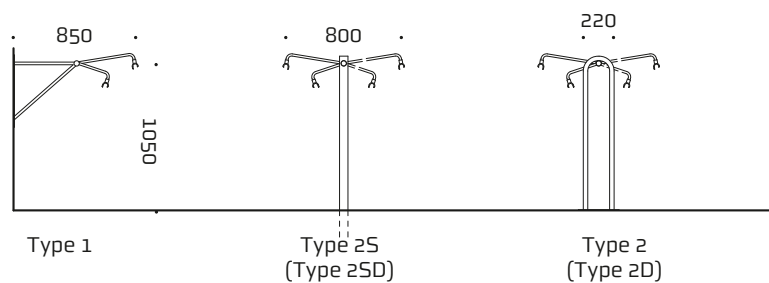
• Lockable claw

◀ Bicycle Stands
Klo



Technical drawings

- part of **NRG** Group



Dimensions

Arm	Ø 16/38 mm
Arch	Ø 32 mm
Post	40 x 60 mm
Bracket	25 x 3 mm/Ø 19 mm

Materials and Finish

Steel	Hot-dip galvanised. Can also be powder coated. Mechanical forces may cause the powder coating to peel. For standard RAL colours, see product info.
Claw	Non-lockable claw: Impact-resistant nylon, grey. Lockable claw: Black plastic with 4 mm corrosion-resistant steel bolt. The claw can only be locked once it has gripped the handlebar. Patent no. 387.962.

Product

Description

Type 1	Cycle rack, single sided for wall mounting, 5 stands, 2050 mm
Type 2	Cycle rack, single sided for embedment, 5 stands, 2050 mm
Type 2 D	Cycle rack, double sided for embedment, 10 stands, 2050 mm

For more information please visit www.veksø.com