

► Bicycle Stands

Double

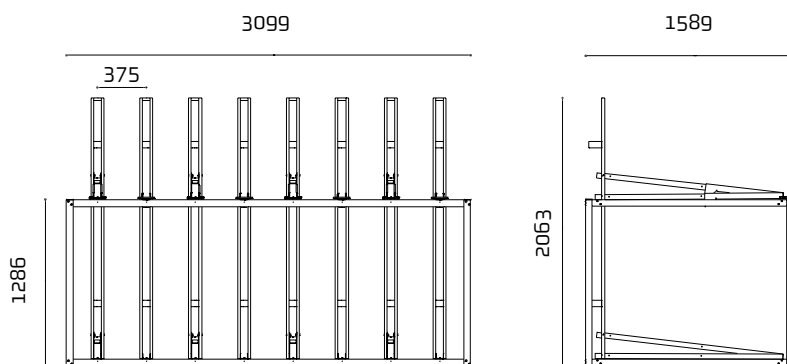
Design:
Veksø A/S



◀ Bicycle Stands
Double



Technical drawings



Dimensions

Frame	50 x 50mm
U-profile steel	50 x 50 x 3mm
Holders	40 x 60 x 3mm

Materials and Finish

Steel Hot-dip galvanised. Can also be powder coated. Mechanical forces may cause the powder coating to peel. For standard RAL colours, see product info.

Suitable for Installation Racing tyres, mountain bike tyres and standard cycle tyres. The cycle rack is delivered for surface mounting. The cycle rack can be delivered with a pull-out guide rail, wire lock and number sign. The cycle rack can also be delivered as extension model as well as single and double sided.

Product

Description

CDO1016	Cycle rack, two-story, 16 stands
CDO1014	Cycle rack, two-story, 14 stands
CDO1012	Cycle rack, two-story, 12 stands
CDO1010	Cycle rack, two-story, 10 stands
CDO1008	Cycle rack, two-story, 8 stands
CDO1006	Cycle rack, two-story, 6 stands
CDO1004	Cycle rack, two-story, 4 stands

For more information please visit www.veksø.com

All terms and conditions are subject to change