

► Bicycle Stands

# CS 1000

Design:  
VEKSO A/S



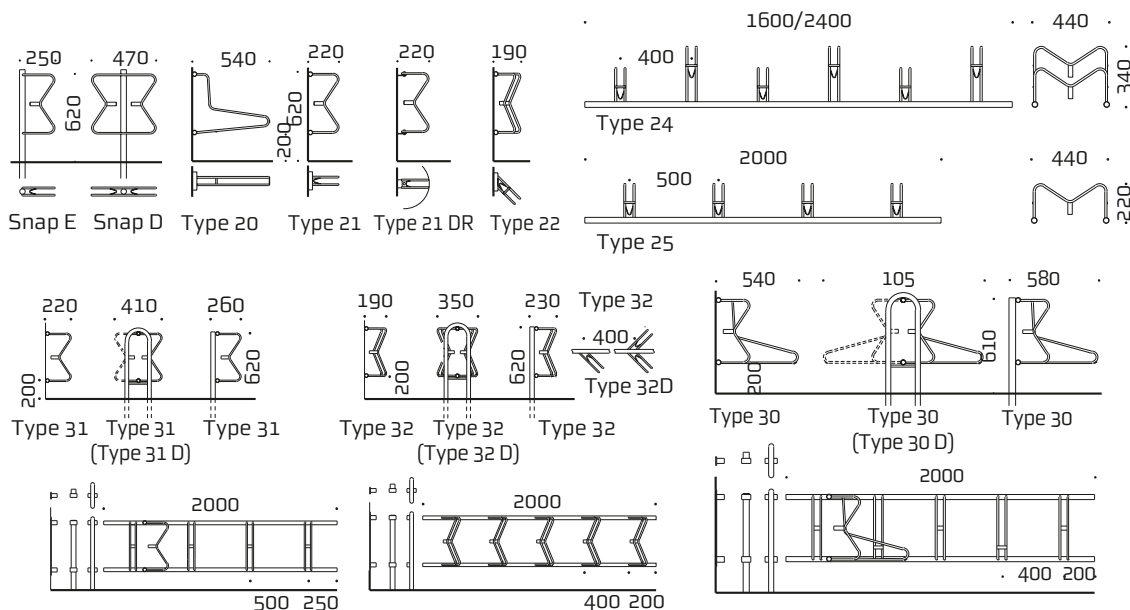
- CS 1000, 24
- CS 1000, 31
- CS 1000, 32
- CS 1000, SNAP

◀ Bicycle Stands  
**CS 1000**



Technical drawings

- part of **NRG** Group



Dimensions

<b>Holder</b>	Ø 12 mm.
<b>Arch</b>	Ø 32 mm
<b>Upright</b>	40 x 40 mm

Materials and Finish

<b>Steel</b>	Hot-dip galvanised. Can also be powder coated. Mechanical forces may cause the powder coating to peel. For standard RAL colours, see product info.
<b>Wall mounting</b>	For bolting directly onto wall. Supplied with connection units. Order end flanges for end mounting.
<b>Embedment</b>	Arch or upright.

Product

Description

Type 20/21	Cycle rack, single stand for wall mounting, 1 stand
Type 21 DR	Cycle rack, single stand for wall mounting, turnable, 1 stand
Type 22	Cycle rack, single stand for wall mounting, 45°, 1 stand
Type snap E/D	Cycle rack, single stand for embedment, 1 stand/2 stands
Type 24	Cycle rack, high/low, for surface mounting, 4/6 stands, 1600/2400 mm
Type 25	Cycle rack, low, for surface mounting, 4 stands, 2000 mm
Type 30 V	Cycle rack, single sided for wall mounting, high/low, 5 stands, 2000 mm
Type 30 E	Cycle rack, single sided for embedment, high/low, 5 stands, 2000 mm
Type 30 D	Cycle rack, double sided for embedment, high/low, 10 stands, 2000 mm
Type 31 V	Cycle rack, single sided for wall mounting, (31) 4 stands, (32, 45°) 5 stands, 2000 mm
Type 31 E	Cycle rack, single sided for embedment, (31) 4 stands, (32, 45°) 5 stands, 2000 mm
Type 31 D	Cycle rack, double sided for embedment, (31) 8 stands, (32, 45°) 10 stands, 2000 mm

For more information please visit [www.veksø.com](http://www.veksø.com)

All terms and conditions are subject to change

**VEKSØ**°

[www.veksø.com](http://www.veksø.com)